

Azimuth control unit: RSCU H



The RSCU-H series consist of three members in the following executions:

- RSCU-H96 (96x96mm);
- RSCU-H99 (118x118mm);
- RSCU-H144 (144x144mm);

As their names already suggest, the main difference is the size of the top plates. The RSCU-H96 bottom section has been designed as a machined aluminium block. The RSCU-H144 is composed more traditionally and therefore allows more variations when it comes to machinery interfaces. They both share the recognizable cylinder shaped control head, identical to that of the BUK-H propulsion levers.

Possible output signals

- 5KOhm;
- 4-20mA;
- Integrated CAN;

Specifications

The RSCU-H96 and H144 come with potentiometers and/or micro switches for the electrical interface with the propulsion- and steering control systems. The default IP-rating is IP56, with the possibility to limit the speed lever travel and/or steering angle according to your requirements. Palpable stops (detents) can be supplied in both sections.

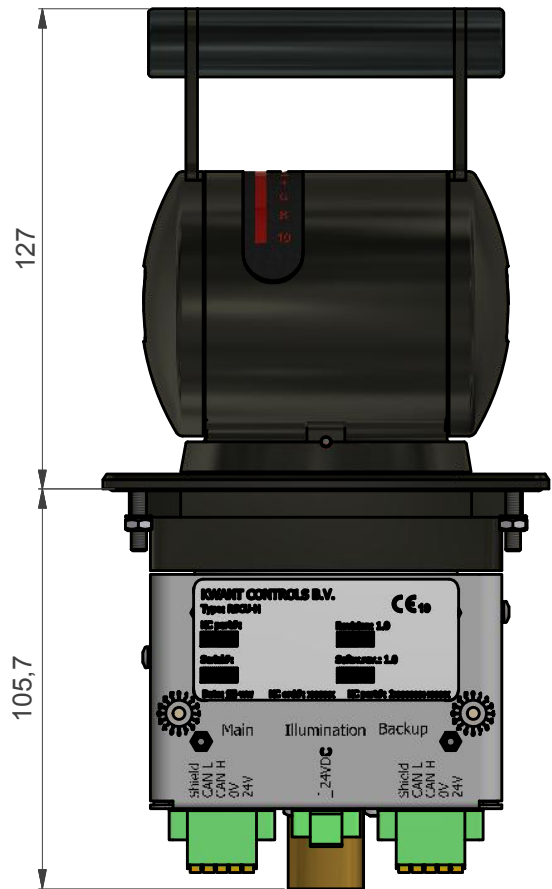
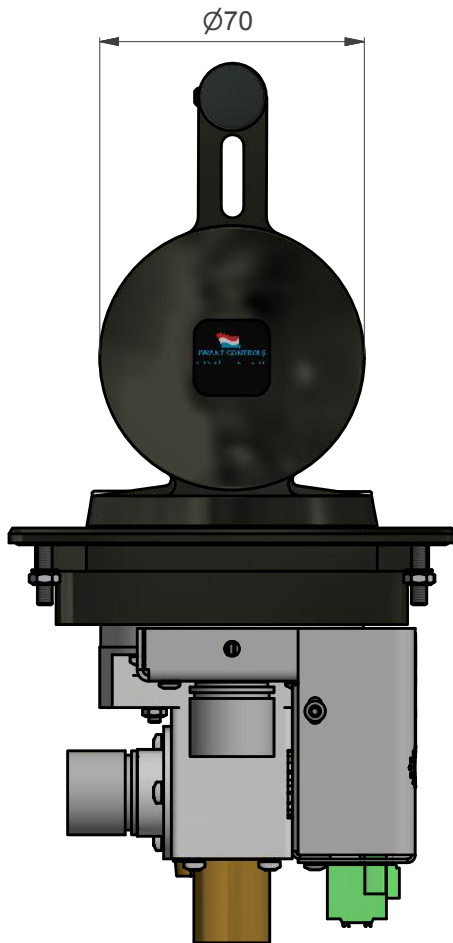
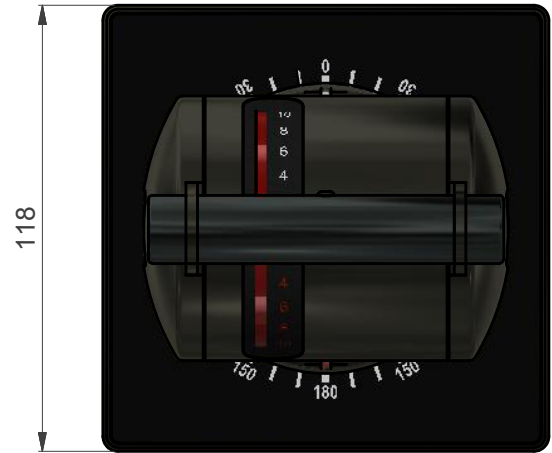
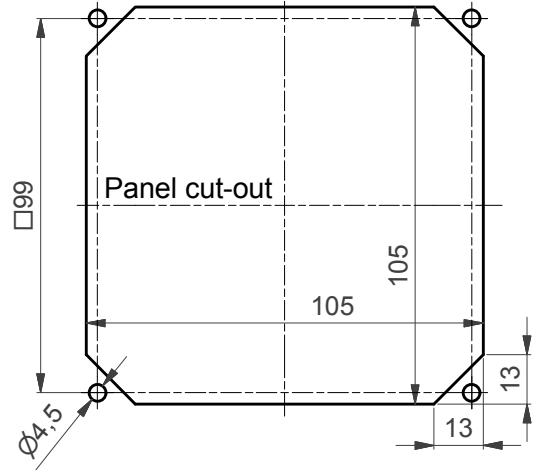
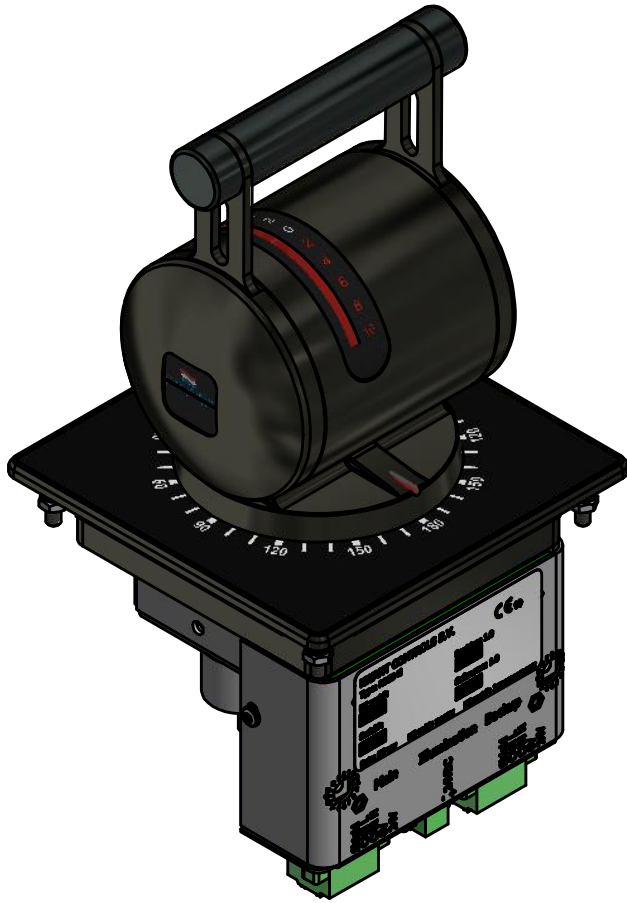
Both models are available with stepper servo motors, driven by either:

- An external **Control Unit to Bus Interface module** ('CUBI'). This module is the interface to the (redundant) CAN bus, which forms the basis for the Electric Shaft system of the(fifth generation), ELAS-5. The CUBI also offers an (limited) amount of I/O for the human-machine interface i.e. signal lamps, pushbuttons and buzzers.
- Integrated CAN electronics (I-CAN) offering a direct CAN-Open machinery interface. This option requires the presence of a CAN bus master station.

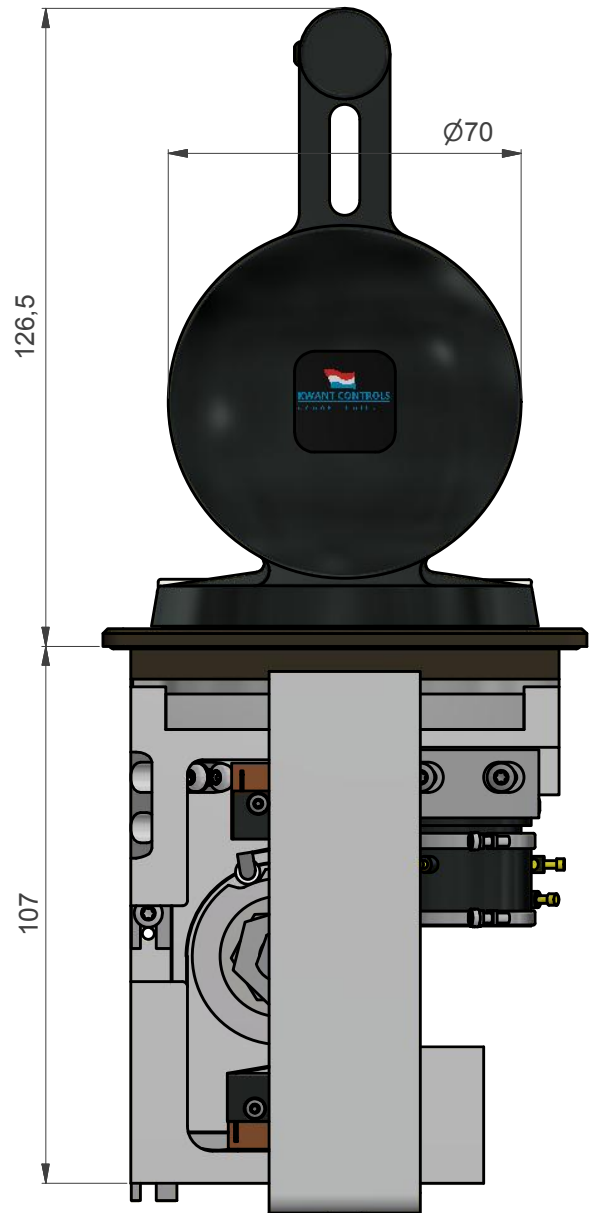
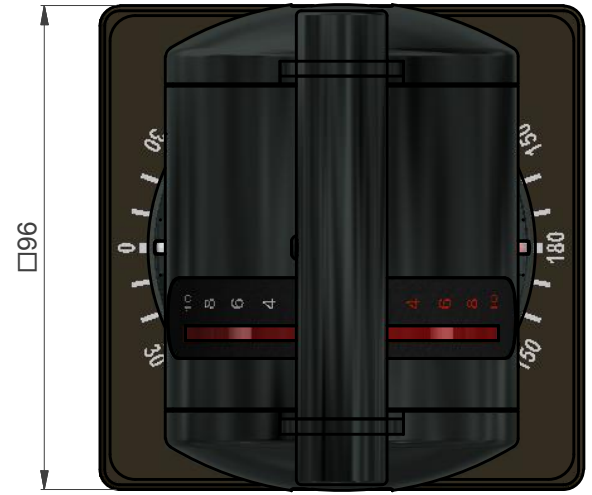
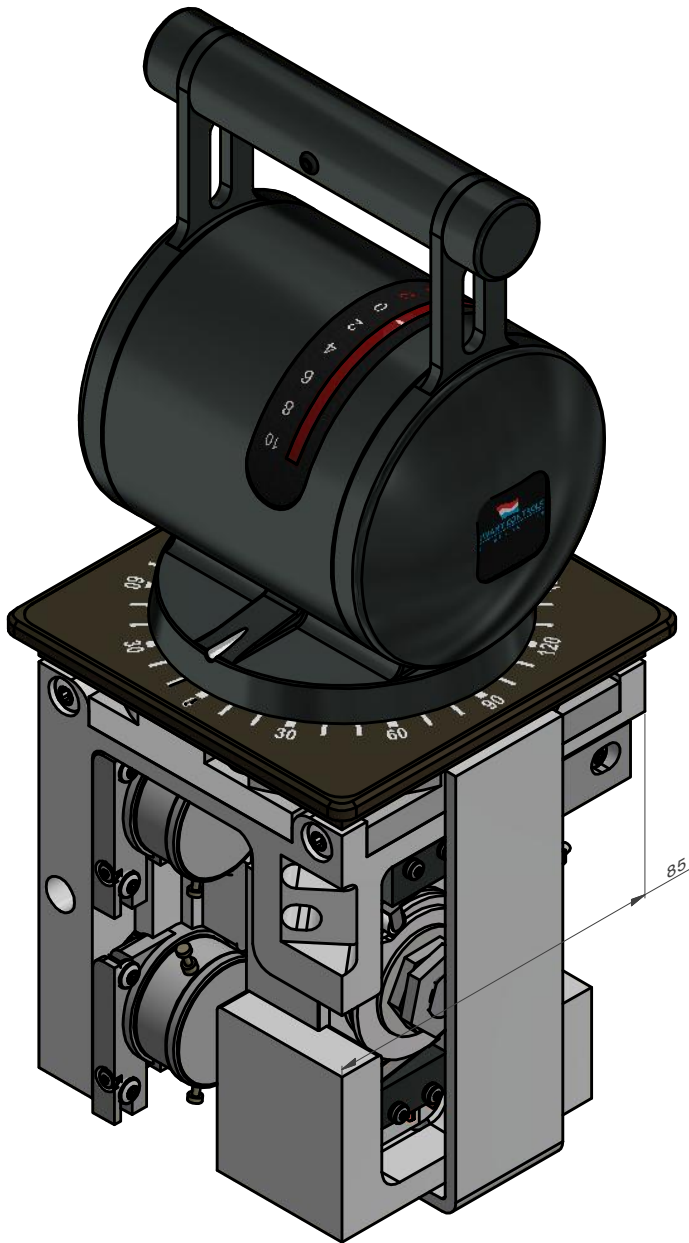
Options

- Extra or special potentiometer(s);
- Micro switch contact(s);
- Customized grips (other materials like wood), logo's;
- Stepper motors for:
 - Automatic line-up (Electric Shaft);
 - Electrical fine adjustment;
 - Haptic feedback;
 - Programmable detents (palpable stops);
- Limited lever travel;
- Other options on request.





Title: RSCU H - LEAN		Drawing no: A0136360	
Description: Front 118x118mm / Speed 120° / Azimuth 360°		Sheet: A4	Rev.: 0
Dimensions in millimeters		Scale: 1:2	
Copyright according to law		Engineer: EVD	L.mod. date: 23-1-2019
		Drawn by: EVD	Art.: 12008085
		Creation date: 28-11-2018	Sheet: 1 / 1



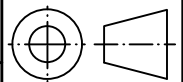
Art: 71514416

Movement Azimuth:	360°
Angle Azimuth Transmitter:	360
Movement Speed Lever:	+60° / 0° / -60°
Angle Speed Transmitter:	280
Color:	Black
Illumination:	Speed and Azimuth
IP-class:	IP 56
Pannel Cut-out:	86 x 86 mm
Type Connection:	Sub-D / Terminal Block
Mass:	N/A

Contr. Unit RSCU-H96²

Form.
A4

4A0119408



KWANT CONTROLS

KWANT CONTROLS B.V. SNEEK HOLLAND

Maten in millimeters

HET AUTEURSRECHT WORDT
VOORBEHOUDEN
OVEREENKOMSTIG DE WET

Wijz.: 0

Art.: 12008030

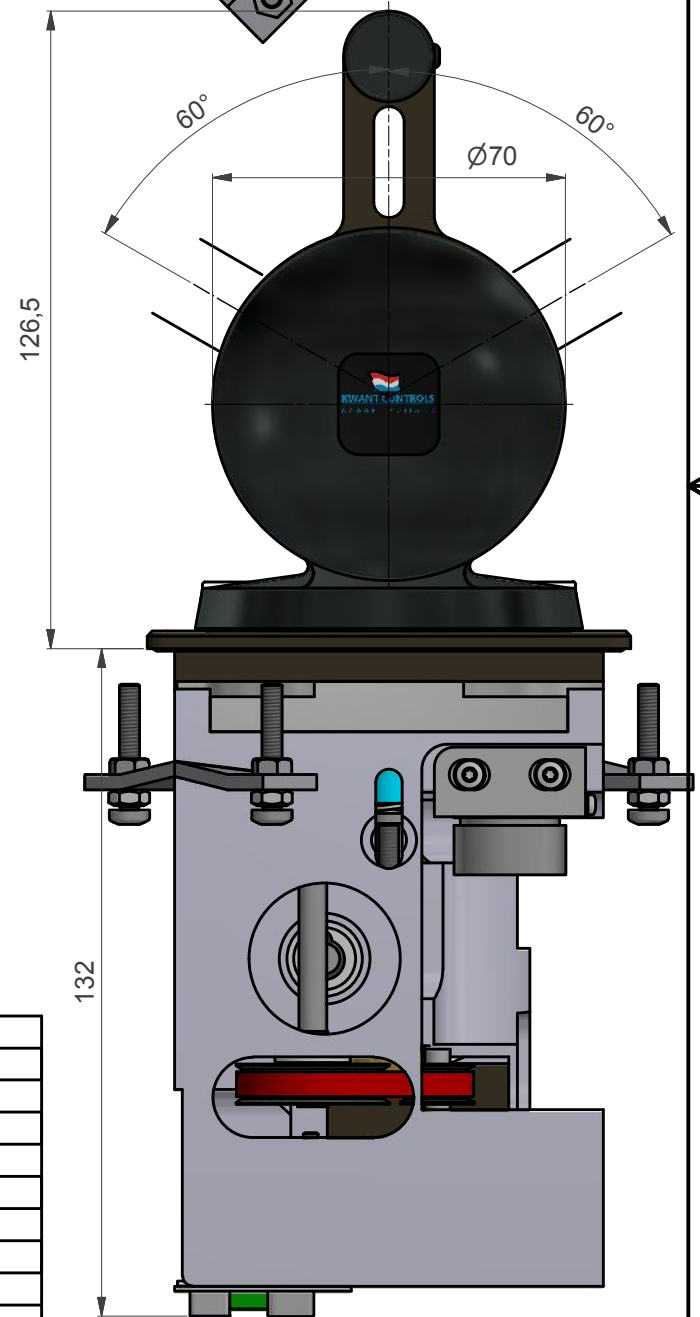
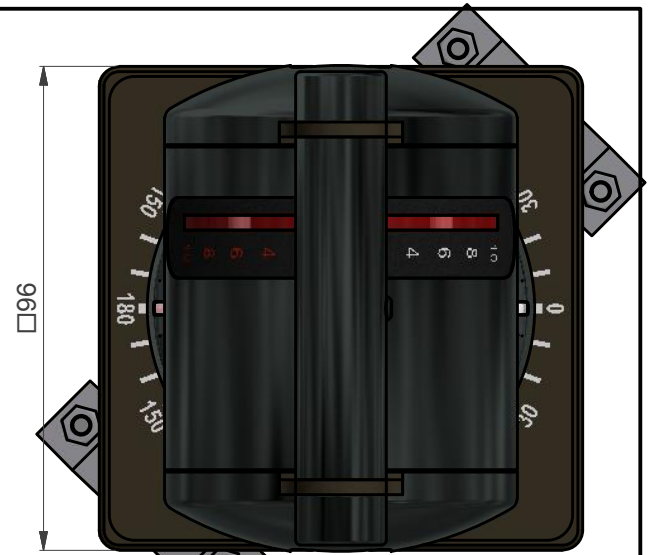
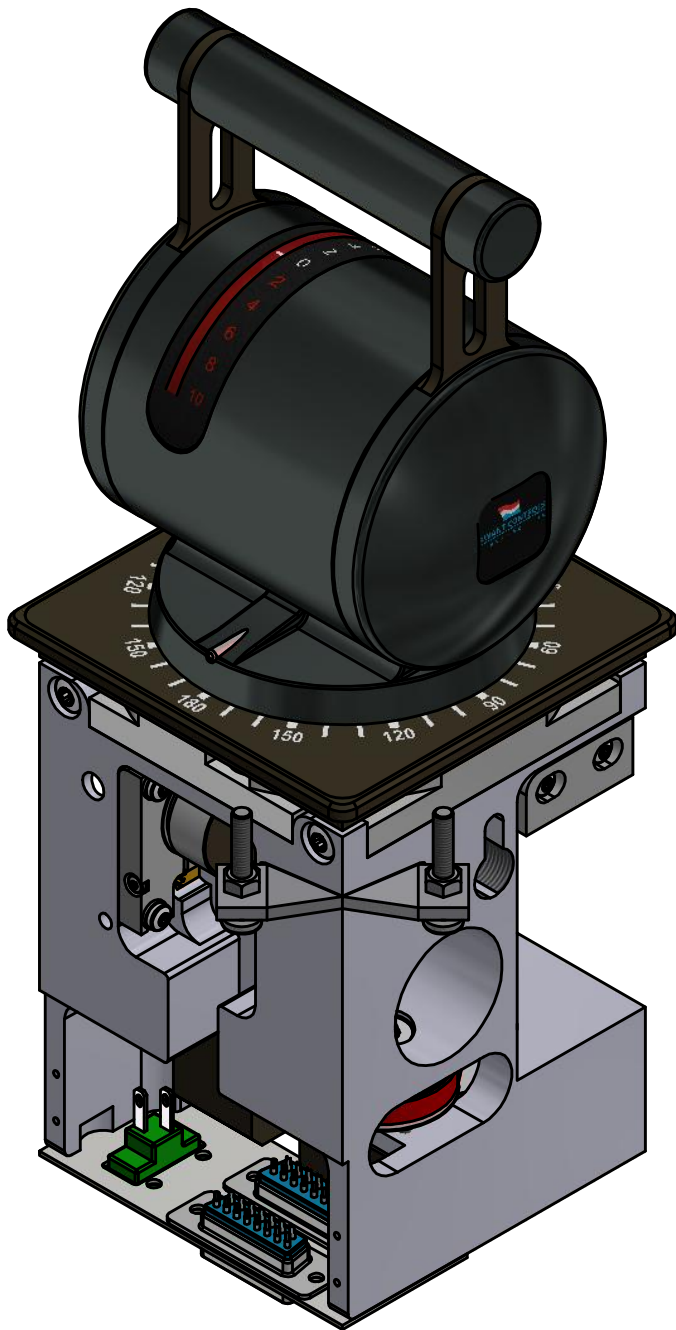
Get.: SJ

Datum: 17-5-2010

Blad: 1 / 1

Schaal: 1 : 1.5

Ontwerp status: Released



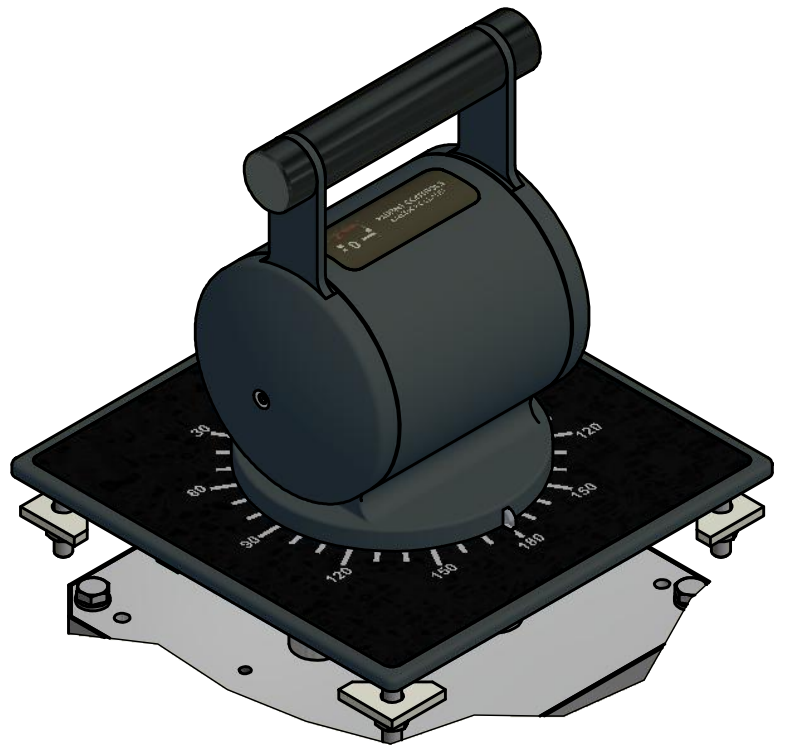
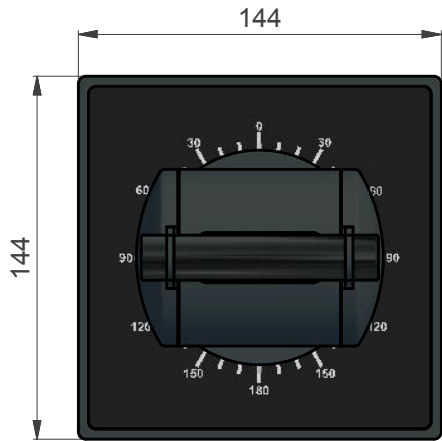
Rotation Azimuth:	endless
Rotation Azimuth Transmitter:	endless
Rotation Speed Lever:	+60° / 0° / -60°
Rotation Speed Transmitter:	280°
Color:	Black
Illumination:	Speed and Azimuth
IP-class:	IP 56
Panel Cut-out:	87 x 87 mm
Electric Connections:	Sub-D / Terminal Block

Contr. Unit RSCU-H96² Stepper motor Vert-X

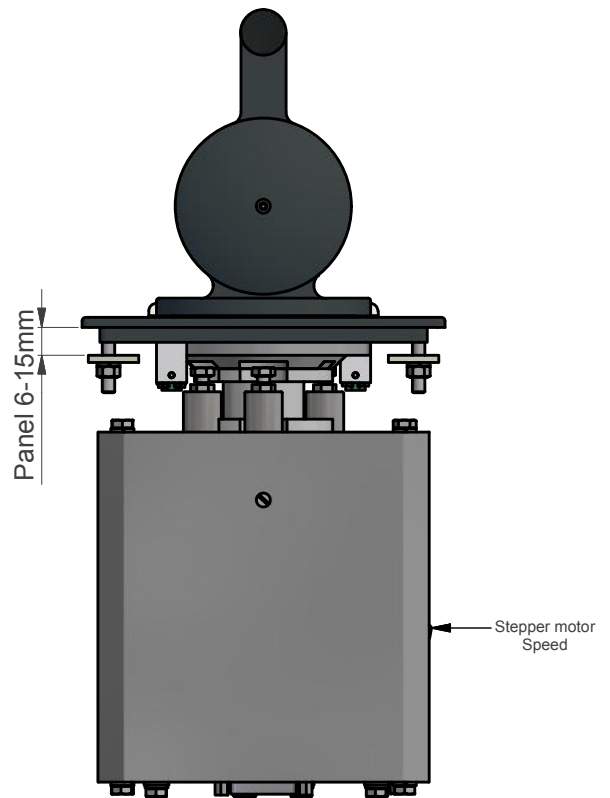
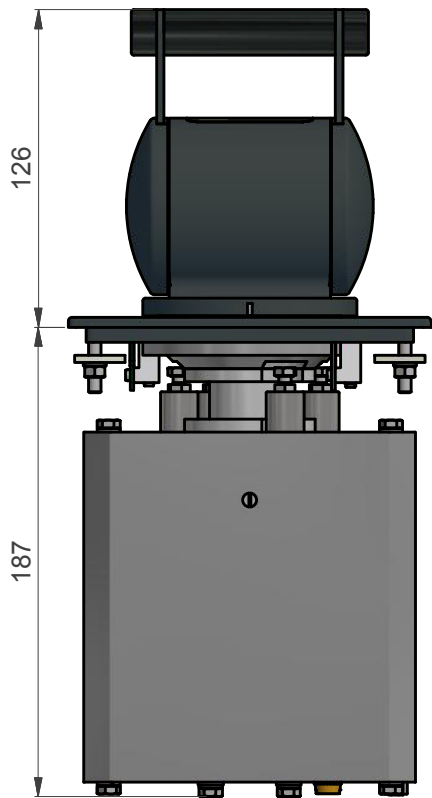
Form. A4	4A0119146	
Wijz.: A	Art.: 12008002	
Get.: SJ	Datum: 21-4-2010	Blad: 1 / 1
Schaal: 1 : 1.5	Ontwerp status: Released	

KWANT CONTROLS
KWANT CONTROLS B.V. SNEEK HOLLAND

Maten in millimeters
HET AUTEURSRECHT WORDT
VOORBEHOUDEN
OVEREENKOMSTIG DE WET



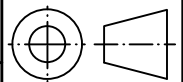
Panel cut-out: 132mm x 132mm



Protection front side : IP 56

Contr. Unit RSCU-H144² Stepper motor

Form. A4 4A0118825



KWANT CONTROLS
KWANT CONTROLS B.V. SNEEK HOLLAND

Maten in millimeters
HET AUTEURSRECHT WORDT
VOORBEHOUDEN
OVEREENKOMSTIG DE WET

Wijz.: 0

Art.: 12008066

Get.: Evd

Datum: 12-1-2010

Blad: 1 / 1

Schaal: 1:3

Vrijgave dd: 12-1-2010